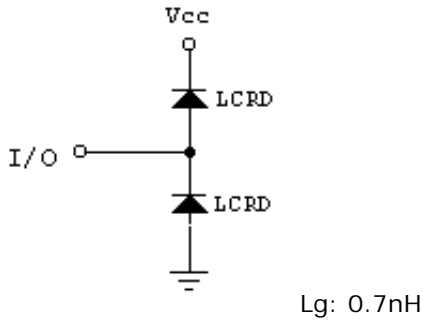


**FIGURE 1
SPICE MODEL FOR ET721**



LCRD: LOW CAPACITANCE RECTIFIER DIODE
Lg: LEAD INDUCTANCE

TABLE 1 – SPICE PARAMETERS		
PARAMETER	UNIT	LCRD
BV	V	200
IBV	uA	0.01
Cjo	pF	3
Is	A	1E-13
Vj	V	0.6
M	-	0.33
N	-	1
Rs	Ohms	0.31
TT	s	1E-9
EG	eV	1.11

Updated 10/9/2003