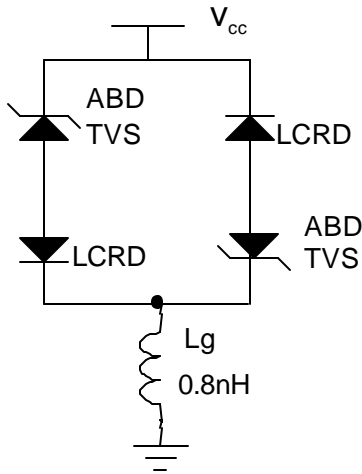


**FIGURE 1  
SPICE MODEL FOR LCA SERIES**



LCRD: LOW CAPACITANCE RECTIFIER DIODE  
 ABD: AVALANCHE BREAKDOWN DIODE (TVS)  
 Lg: LEAD INDUCTANCE

**TABLE 1 – SPICE PARAMETERS**

PARAMETER	UNIT	ABD (TVS)	LCRD
BV	V	See Table 2	200
IBV	uA	1	0.01
Cjo	pF	See Table 2	5
Is	A	See Table 2	1E-13
Vj	V	0.6	0.6
M	-	0.33	0.33
N	-	1	1
Rs	Ohms	See Table 2	0.31
TT	s	1E-8	1E-9
EG	eV	1.11	1.11

**TABLE 2 – ABD SPECIFIC SPICE PARAMETERS**

PART NO.	BV (VOLTS)	Cjo (pF)	IS (AMPS)	Rs (OHMS)
LCA05C	6.0	893	1E-11	0.09
LCA08C	8.5	481	1E-13	0.18
LCA12C	13.3	319	1E-13	0.22
LCA15C	16.7	238	1E-13	0.31
LCA24C	26.7	210	1E-13	0.93

Updated 10/10/2003