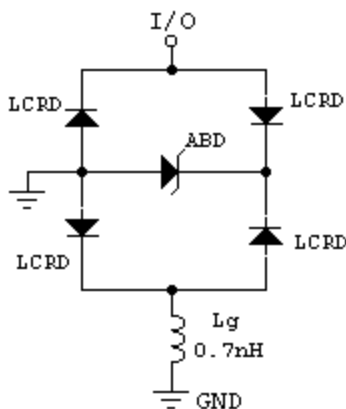


**FIGURE 1
SPICE MODEL FOR PLC03-6**



LCRD: LOW CAPACITANCE RECTIFIER DIODE
 ABD: AVALANCHE BREAKDOWN DIODE (TVS)
 Lg: LEAD INDUCTANCE

TABLE 1 – SPICE PARAMETERS

PARAMETER	UNIT	ABD (TVS)	LCRD
BV	V	6.8	200
IBV	uA	1	0.01
Cjo	pF	3000	7
Is	A	10 E-12	10 E-14
Vj	V	0.6	0.6
M	-	0.33	0.33
N	-	1	1
Rs	Ohms	0.075	0.32
TT	s	1E-8	1E-9
EG	eV	1.11	1.11

Updated