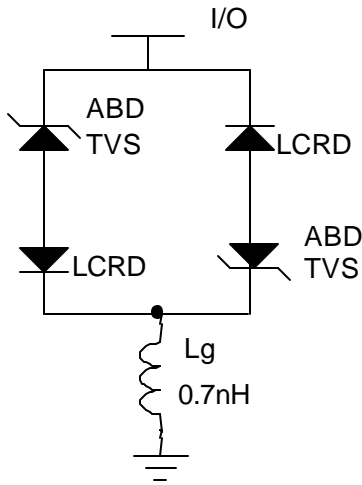


**FIGURE 1
SPICE MODEL FOR PLCDA SERIES**



LCRD: LOW CAPACITANCE RECTIFIER DIODE
 ABD: AVALANCHE BREAKDOWN DIODE (TVS)
 Lg: LEAD INDUCTANCE

TABLE 1 – SPICE PARAMETERS

| PARAMETER | UNIT | ABD (TVS) | LCRD |
|-----------|------|-------------|-------|
| BV | V | See Table 2 | 200 |
| IBV | uA | 1 | 0.01 |
| Cjo | pF | See Table 2 | 5 |
| Is | A | See Table 2 | 1E-13 |
| Vj | V | 0.6 | 0.6 |
| M | - | 0.33 | 0.33 |
| N | - | 1 | 1 |
| Rs | Ohms | See Table 2 | 0.31 |
| TT | s | 1E-8 | 1E-9 |
| EG | eV | 1.11 | 1.11 |

TABLE 2 – ABD SPECIFIC SPICE PARAMETERS

| PART NO. | BV (VOLTS) | Cjo (pF) | IS (AMPS) | Rs (OHMS) |
|----------|------------|----------|-----------|-----------|
| PLCDA03C | 4.5 | 438 | 1E-11 | 0.21 |
| PLCDA05C | 6.0 | 284 | 1E-11 | 0.14 |
| PLCDA08C | 8.5 | 146 | 1E-13 | 0.275 |
| PLCDA12C | 13.3 | 123 | 1E-13 | 0.4 |
| PLCDA15C | 16.7 | 102 | 1E-13 | 0.52 |
| PLCDA24C | 26.7 | 61 | 1E-13 | 1.54 |

Updated 10/10/2003