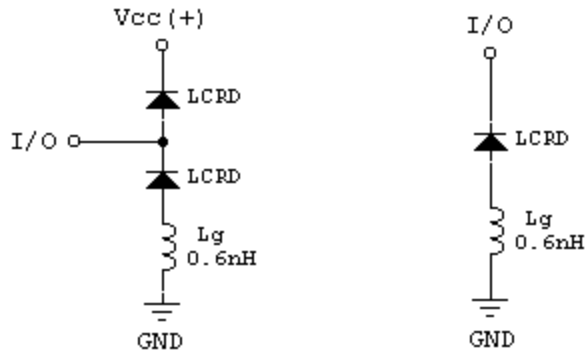


**FIGURE 1  
SPICE MODEL FOR PMAD Series**

PMAD130, 1103, 1107    PMAD1105, 1106, 1109



LCRD: LOW CAPACITANCE RECTIFIER DIODE  
Lg: LEAD INDUCTANCE

**TABLE 1 – SPICE PARAMETERS**

| PARAMETER | UNIT | LCRD  |
|-----------|------|-------|
| BV        | V    | 200   |
| IBV       | uA   | 0.01  |
| Cjo       | pF   | 5     |
| Is        | A    | 1E-13 |
| Vj        | V    | 0.6   |
| M         | -    | 0.33  |
| N         | -    | 1     |
| Rs        | Ohms | 0.31  |
| TT        | s    | 1E-9  |
| EG        | eV   | 1.11  |