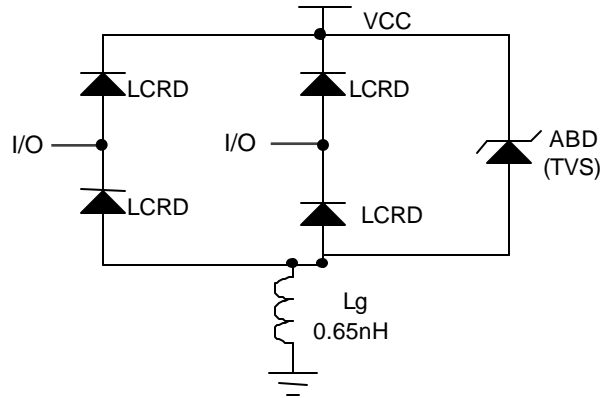


SPICE MODEL & PARAMETERS

**FIGURE 1
SPICE MODEL FOR PSR05**



LCRD: LOW CAPACITANCE RECTIFIER DIODE
 ABD: AVALANCHE BREAKDOWN DIODE (TVS)
 Lg: LEAD INDUCTANCE

TABLE 1 – SPICE PARAMETERS			
PARAMETER	UNIT	ABD	LCRD
BV	V	6.0	200
IBV	uA	1	0.01
Cjo	pF	230	6
Is	A	1E-11	1E-11
Vj	V	0.6	0.6
M	-	0.33	0.33
N	-	1	1
Rs	Ohms	0.014	0.75
TT	s	1E-8	1E-9
EG	eV	1.11	1.11

Updated 10/10/2003