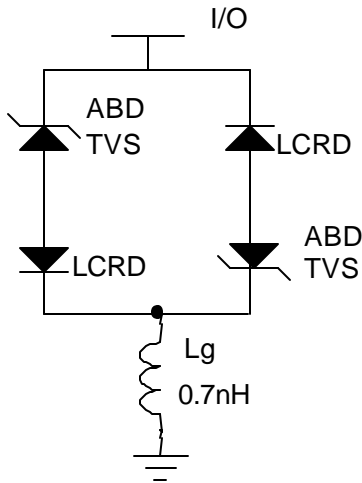


**FIGURE 1  
SPICE MODEL FOR SM8LC SERIES**



LCRD: LOW CAPACITANCE RECTIFIER DIODE  
 ABD: AVALANCHE BREAKDOWN DIODE (TVS)  
 Lg: LEAD INDUCTANCE

**TABLE 1 – SPICE PARAMETERS**

| PARAMETER | UNIT | ABD (TVS)   | LCRD  |
|-----------|------|-------------|-------|
| BV        | V    | See Table 2 | 200   |
| IBV       | uA   | 1           | 0.01  |
| Cjo       | pF   | See Table 2 | 5     |
| Is        | A    | See Table 2 | 1E-13 |
| Vj        | V    | 0.6         | 0.6   |
| M         | -    | 0.33        | 0.33  |
| N         | -    | 1           | 1     |
| Rs        | Ohms | See Table 2 | 0.31  |
| TT        | s    | 1E-8        | 1E-9  |
| EG        | eV   | 1.11        | 1.11  |

**TABLE 2 – ABD SPECIFIC SPICE PARAMETERS**

| PART NO. | BV (VOLTS) | Cjo (pF) | IS (AMPS) | Rs (OHMS) |
|----------|------------|----------|-----------|-----------|
| SM8LC05  | 6.0        | 893      | 1E-11     | 0.09      |
| SM8LC08  | 8.5        | 481      | 1E-11     | 0.18      |
| SM8LC12  | 13.3       | 319      | 1E-11     | 0.22      |
| SM8LC15  | 16.7       | 238      | 1E-11     | 0.31      |
| SM8LC24  | 26.7       | 210      | 1E-11     | 0.93      |

Updated 10/10/2003