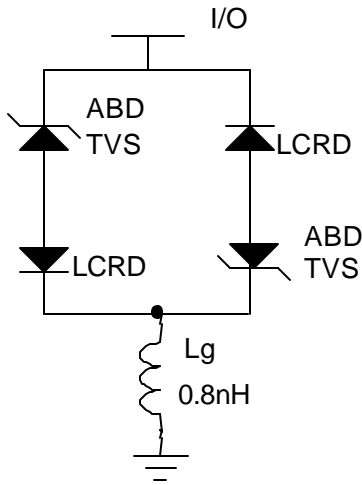


SPICE MODEL & PARAMETERS

**FIGURE 1
SPICE MODEL FOR SMDAxxLCC SERIES**



LCRD: LOW CAPACITANCE RECTIFIER DIODE
 ABD: AVALANCHE BREAKDOWN DIODE (TVS)
 Lg: LEAD INDUCTANCE

TABLE 1 – SPICE PARAMETERS

PARAMETER	UNIT	ABD (TVS)	LCRD
BV	V	See Table 2	200
IBV	uA	1	0.01
Cjo	pF	See Table 2	5
Is	A	See Table 2	10 E-14
Vj	V	0.6	0.6
M	-	0.33	0.33
N	-	1	1
Rs	Ohms	See Table 2	0.31
TT	s	1E-8	1E-9
EG	eV	1.11	1.11

TABLE 2 – ABD SPECIFIC SPICE PARAMETERS

PART NO.	BV (VOLTS)	Cjo (pF)	IS (AMPS)	Rs (OHMS)
SMDA03LCC	4.5	438	1E-11	0.21
SMDA05LCC	6.0	284	1E-11	0.14
SMDA08LCC	8.5	146	1E-11	0.28
SMDA12LCC	13.3	123	1E-13	0.4
SMDA15LCC	16.7	102	1E-13	0.52
SMDA24LCC	26.7	61	1E-13	1.54

Updated 10/9/2003