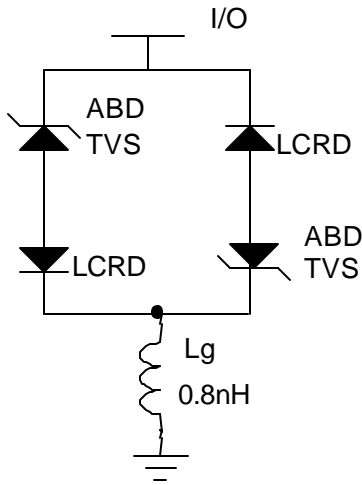


SPICE MODEL & PARAMETERS

**FIGURE 1
SPICE MODEL FOR SMLCxxC-2 SERIES**



LCRD: LOW CAPACITANCE RECTIFIER DIODE
 ABD: AVALANCHE BREAKDOWN DIODE (TVS)
 Lg: LEAD INDUCTANCE

TABLE 1 – SPICE PARAMETERS			
PARAMETER	UNIT	ABD (TVS)	LCRD
BV	V	See Table 2	200
IBV	uA	1	0.01
Cjo	pF	See Table 2	5
Is	A	See Table 2	10 E-14
Vj	V	0.6	0.6
M	-	0.33	0.33
N	-	1	1
Rs	Ohms	See Table 2	0.31
TT	s	1E-8	1E-9
EG	eV	1.11	1.11

TABLE 2 – ABD SPECIFIC SPICE PARAMETERS				
PART NO.	BV (VOLTS)	Cjo (pF)	IS (AMPS)	Rs (OHMS)
SMLC6.5C-2	7.2	2600	1E-11	0.075
SMLC12C-2	13.3	1150	1E-13	0.080

Updated 10/9/2003