



DO-214AB PACKAGE

## APPLICATIONS

- Automotive

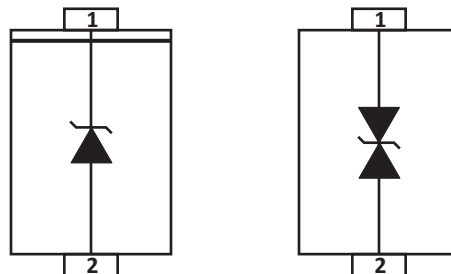
## FEATURES

- **AEC-Q101 Qualified**
- UL File Recognition #E208219
- IEC Compatibility 61000-4-2 (ESD)
- IEC Compatibility 61000-4-4 (EFT)
- IEC Compatibility 61000-4-5 (Surge)
- Glass Passivated Chip
- 5000 Watts Peak Pulse Power per Line ( $t_p = 10/1000\mu s$ )
- 28,000 Watts Peak Pulse Power per Line ( $t_p = 8/20\mu s$ )
- Low Leakage Current
- Unidirectional & Bidirectional Configurations
- Excellent Clamping Capability
- Very Fast Response Time
- RoHS Compliant
- REACH Compliant

## MECHANICAL CHARACTERISTICS

- Molded JEDEC DO-214AB Package
- Approximate Weight: 0.248 grams
- Lead-Free Pure-Tin Plating (Annealed)
- Solder Reflow Temperature:  
Pure-Tin - Sn, 100: 260-270°C
- 16mm Tape and Reel Per EIA Standard 481
- Terminal: Solderable per MIL-STD-750, Method 2026
- Flammability Rating UL 94V-0

## PIN CONFIGURATIONS



## TYPICAL DEVICE CHARACTERISTICS

## RTCA DO-160G COMPLIANT PRODUCT

## MAXIMUM RATINGS @ 25°C Unless Otherwise Specified

PARAMETER	SYMBOL	VALUE	UNITS
Operating Temperature	$T_A$	-55 to 150	°C
Storage Temperature	$T_{STG}$	-55 to 150	°C
Peak Pulse Power ( $t_p = 10/1000\mu s$ ) - See Figure 1 and Note 2	$P_{PP}$	5000	Watts
Peak Pulse Power ( $t_p = 8/20\mu s$ ) - See Figure 1 and Note 2	$P_{PP}$	28000	Watts
Power Dissipation on Infinite Heatsink at $T_L = 75^\circ C$	$P_D$	6.5	Watts
Peak Forward Surge Current, 8.3ms single half sinewave - Unidirectional Only (Note 2)	$I_{FSM}$	500	Amps
Peak Pulse Current ( $t_p = 8/20\mu s$ )	$I_{PP}$	2500	Amps
Maximum Instantaneous Forward Voltage at 100A - Unidirectional Only	$V_F$	3.5	V

## NOTE

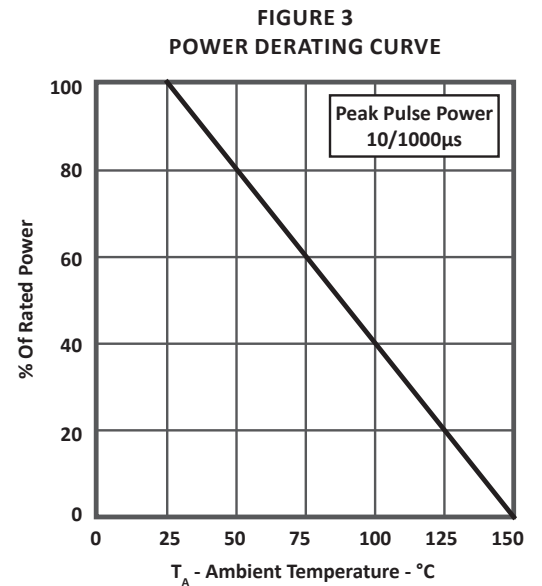
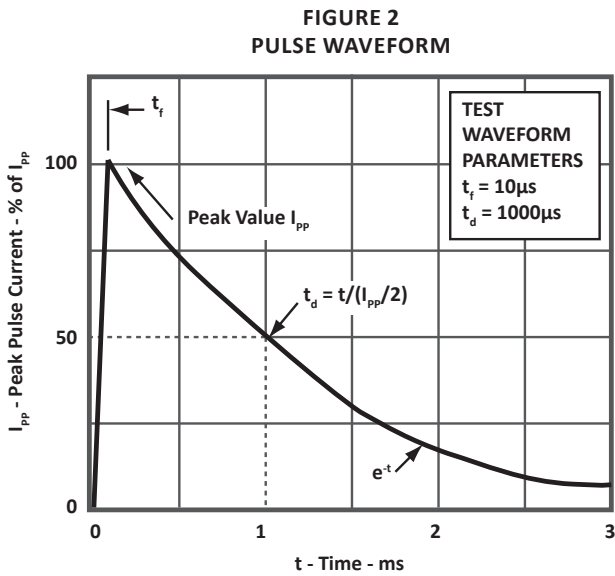
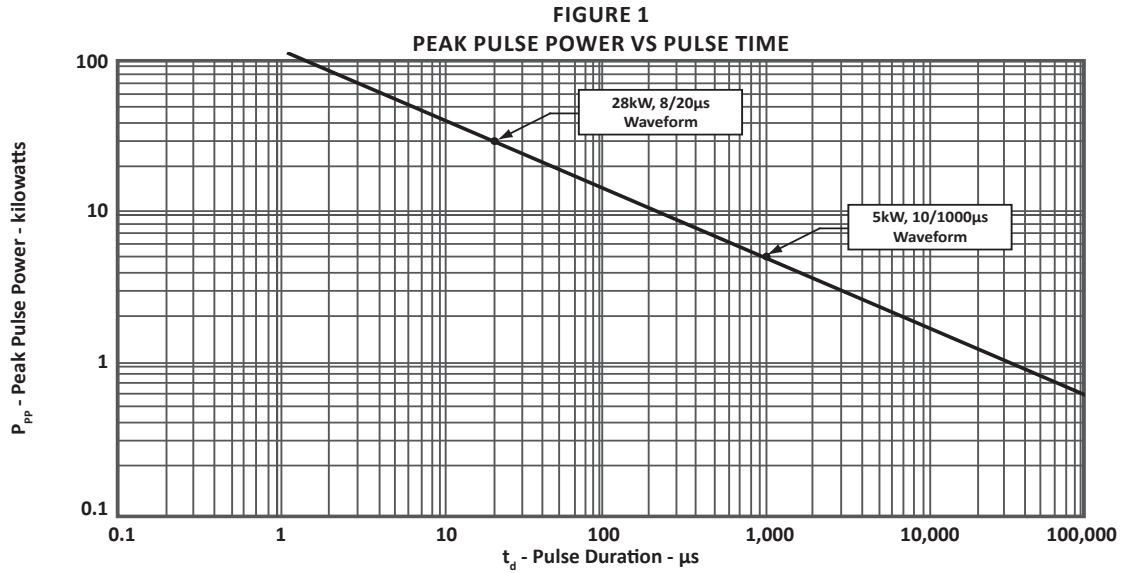
1. Non-repetitive current pulse per Figure 2 and derated above  $T_A = 25^\circ C$  per Figure 2.
2. Measured on 8.3ms single half sinewave or equivalent square wave, duty cycle = 4 pulses per minute maximum.

## ELECTRICAL CHARACTERISTICS PER LINE @ 25°C Unless Otherwise Specified

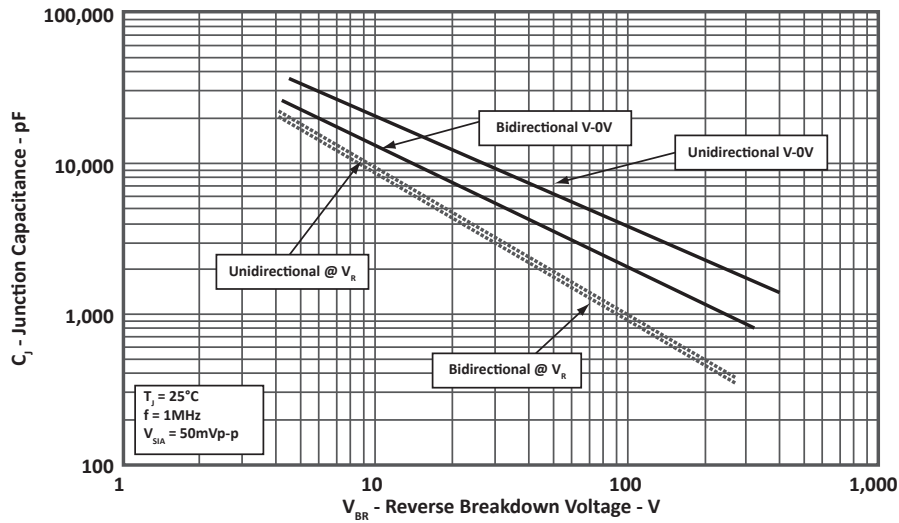
PART NUMBER (Notes 1-2)	DEVICE MARKING		REVERSE STAND-OFF VOLTAGE  $V_{RWM}$ VOLTS	BREAKDOWN VOLTAGE  $V_{(BR)}$ @ $I_T$ VOLTS		TEST CURRENT  @ $I_T$ mA	MAXIMUM CLAMPING VOLTAGE (Fig. 2)  @ $I_P$ $V_C$ VOLTS	MAXIMUM REVERSE SURGE CURRENT  @ $I_{PP}$ AMPS	MAXIMUM REVERSE LEAKAGE CURRENT  @ $V_{RWM}$ $I_R$ $\mu A$
	UNI	BI		MIN	MAX				
PAM33DOAB24A	5PEZ	5BEZ	24.0	26.7	29.5	1	43.0	117	5
PAM26DOAB26A	5PFE	5BFE	26.0	28.90	31.90	1	42.1	120	5
PAM33DOAB36A	5PFP	5BFP	36.0	40.00	44.20	1	58.1	86.9	5
PAM33DOAB40A	5PFR	5BFR	40.0	44.40	49.10	1	64.5	78.3	5
PAM33DOAB170A	5PHR	5BHR	170.0	189.0	209.0	1	275.0	18.4	5

## NOTE

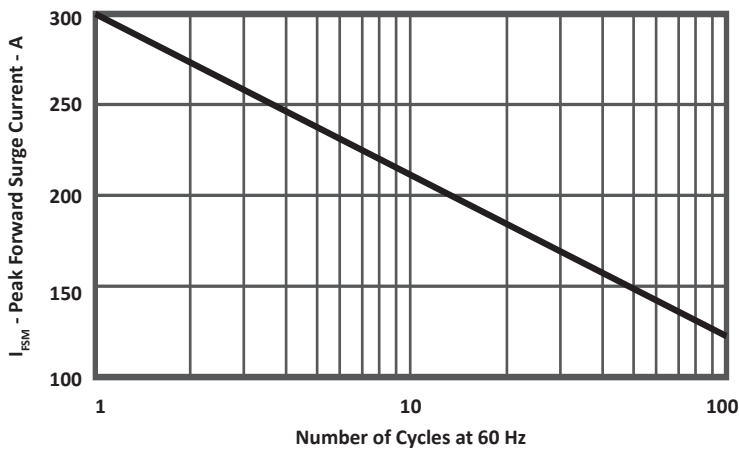
1. Suffix 'A' denotes 5% tolerance, without 'A' denotes 10% tolerance.
2. Add suffix 'C' or 'CA' after part number to specify a bidirectional device.



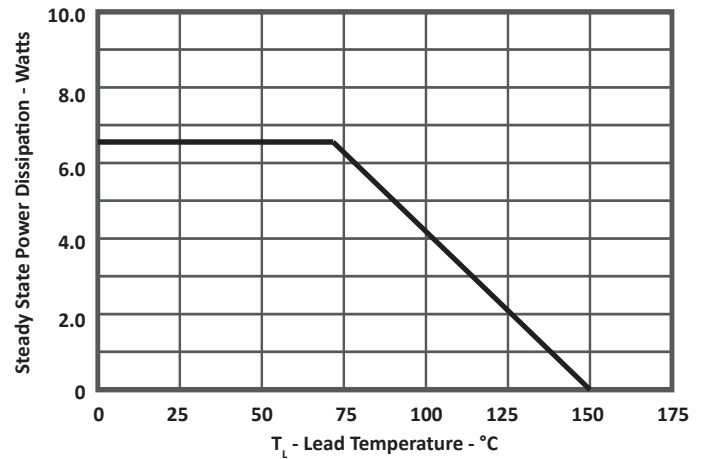
**FIGURE 4**  
**TYPICAL JUNCTION CAPACITANCE**



**FIGURE 5**  
**MAXIMUM NON-REPETITIVE FORWARD SURGE CURRENT**



**FIGURE 6**  
**STEADY STATE POWER DERATING CURVE**



## DO-214AB PACKAGE INFORMATION

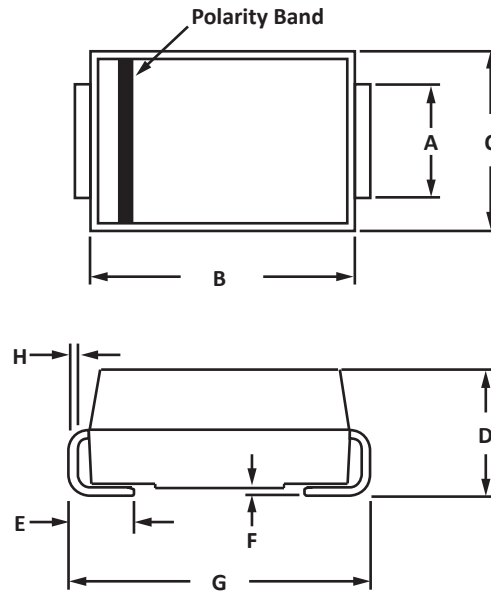
## RTCA DO-160G COMPLIANT PRODUCT

## OUTLINE DIMENSIONS

DIM	MILLIMETERS		INCHES	
	MIN	MAX	MIN	MAX
A	2.86	3.16	0.114	0.126
B	6.52	7.02	0.260	0.280
C	5.52	6.15	0.220	0.245
D	1.98	2.59	0.079	0.103
E	0.75	1.51	0.030	0.060
F	0.00	0.20	0.000	0.008
G	7.64	8.02	0.305	0.320
H	0.15	0.30	0.006	0.012

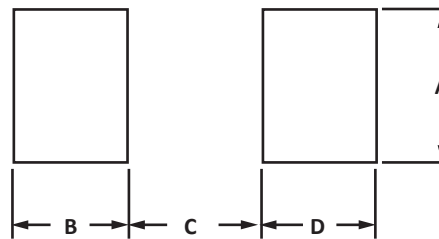
## NOTES

1. Dimensions are exclusive of mold flash and metal burrs.



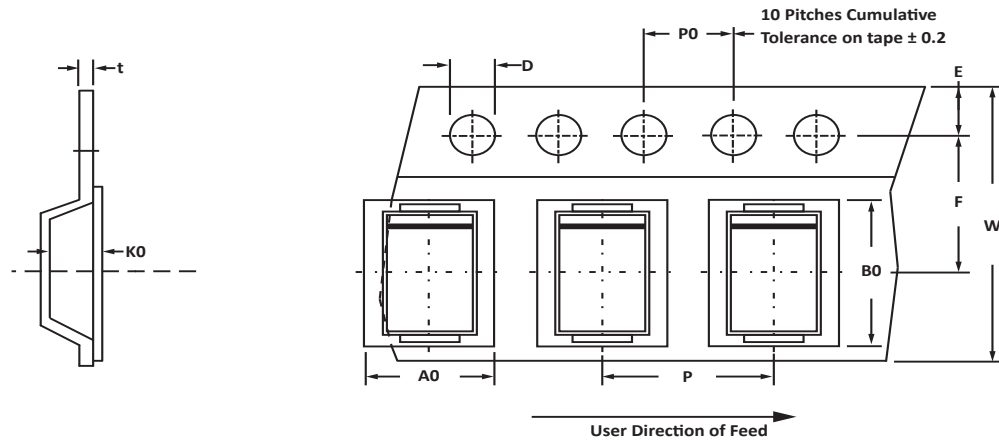
## PAD LAYOUT DIMENSIONS

DIM	MILLIMETERS		INCHES	
	MIN	MAX	MIN	MAX
A	3.43	-	0.135	-
B	2.03	-	0.080	-
C	-	4.32	-	0.170
D	2.03	-	0.080	-



## TAPE AND REEL

## RTCA DO-160G COMPLIANT PRODUCT



## SPECIFICATIONS

REEL DIA.	TAPE WIDTH	A0	B0	K0	D	E	F	W	P0	P	tmax
330mm (13")	16mm	6.05 ± 0.10	8.31 ± 0.10	2.54 ± 0.10	1.55 ± 0.05	1.75 ± 0.10	7.5 ± 0.10	16.00 ± 0.30	4.00 ± 0.10	8.00 ± 0.10	0.4

## NOTES

- Dimensions are in millimeters.
- Surface mount product is taped and reeled in accordance with EIA-481.
- Suffix - T13 = 13" Reel - 3,000 pieces and T500 = 7" Reel - 500 pieces per 16mm tape.
- Marking on Part - marking code (see page 2), date code, logo and cathode defined by polarity band.

## ORDERING INFORMATION

BASE PART NUMBER (Voltage = xx)	LEADFREE SUFFIX	TAPE SUFFIX	QTY/REEL	REEL SIZE	TUBE QTY
PAM33DOABxxA	N/A	-T13	3,000	13"	N/A
PAM33DOABxxCA	N/A	-T13	3,000	13"	N/A
PAM33DOABxxA	N/A	-T500	500	7"	N/A
PAM33DOABxxCA	N/A	-T500	500	7"	N/A

This device is only available in a Lead-Free configuration.

**COMPANY INFORMATION****RTCA DO-160G COMPLIANT PRODUCT****COMPANY PROFILE**

In business more than 20 years, ProTek Devices™ is a privately held semiconductor company. The company offers a product line of overvoltage protection and overcurrent protection components. These include transient voltage suppressor array (TVS arrays) avalanche breakdown diode, steering diode TVS array and electronics SMD chip fuses. These components deliver circuit protection in electronic systems from numerous overvoltage and overcurrent events. They include lightning; electrostatic discharge (ESD); nuclear electromagnetic pulses (NEMP); inductive switching; and electromagnetic interference (EMI) / radio frequency interference (RFI). ProTek Devices also offers LED wafer die for ESD protection and related high frequency products.

**CONTACT US****Corporate Headquarters**

2929 South Fair Lane  
Tempe, Arizona 85282  
USA

**By Telephone**

General: 602-431-8101  
Sales: & Marketing: 602-414-5109  
Customer Service: 602-414-5114  
Product Technical Support: 602-414-5107

**By Fax**

General: 602-431-2288

**By E-mail:**

Asia Sales: [asiasales@protekdevices.com](mailto:asiasales@protekdevices.com)  
Europe Sales: [europesales@protekdevices.com](mailto:europesales@protekdevices.com)  
U.S. Sales: [ussales@protekdevices.com](mailto:ussales@protekdevices.com)  
Distributor Sales: [distysales@protekdevices.com](mailto:distysales@protekdevices.com)  
Customer Service: [service@protekdevices.com](mailto:service@protekdevices.com)  
Technical Support: [support@protekdevices.com](mailto:support@protekdevices.com)

**ProTek Devices (Asia Pacific) Pte. Ltd.**

8 Ubi Road 2, #06-19  
Zervex  
Singapore - 408538  
Tel: +65-67488312  
Fax: +65-67488313

**Web**

[www.protekdevices.com](http://www.protekdevices.com)

COPYRIGHT © ProTek Devices 2017 - This literature is subject to all applicable copyright laws and is not for resale in any manner.

SPECIFICATIONS: ProTek reserves the right to change the electrical and or mechanical characteristics described herein without notice.

DESIGN CHANGES: ProTek reserves the right to discontinue product lines without notice and that the final judgement concerning selection and specifications is the buyer's and that in furnishing engineering and technical assistance. ProTek assumes no responsibility with respect to the selection or specifications of such products. ProTek makes no warranty, representation or guarantee regarding the suitability of its products for any particular purpose, nor does ProTek assume any liability arising out of the application or use of any product or circuit and specifically disclaims any and all liability without limitation special, consequential or incidental damages.

LIFE SUPPORT POLICY: ProTek Devices products are not authorized for use in life support systems without written consent from the factory.