

ULTRA LOW CAPACITANCE STEERING DIODE/TVS ARRAY



DFN-5

DESCRIPTION

The PLR0504FN5 is an ultra low capacitance steering diode/TVS array. This device is designed to protect computing applications such as HDMI, USB (1.0-3.0) and DVI interfaces, as well as telecommunications equipment/systems. The PLR0504FN5 is available in a space saving DFN-5 package configuration.

This device meets IEC 61000-4-2, IEC 61000-4-4 and IEC61000-4-5 requirements. At higher operating frequencies or faster edge rates, insertion loss and signal integrity are a major concern. The PLR0504FN5, in conjunction with passive components integrated into a TVS/filter network can be used for EMI/RFI protection.

FEATURES

- Compatible with IEC 61000-4-2 (ESD): Air $\pm 15\text{kV}$, Contact $\pm 8\text{kV}$
- Compatible with IEC 61000-4-4 (EFT): 40A, 5/50ns
- Compatible with IEC 61000-4-5 (Surge): 3A - 8/20 μs
- ESD Protection > 25 kilovolts
- Protects 4 Data Lines
- Low Leakage Current < 0.1 μA
- Ultra Low Capacitance: 0.3pF Typical (I/O to GND)
- RoHS Compliant
- REACH Compliant

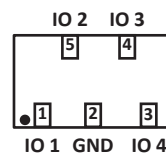
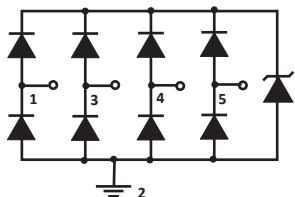
APPLICATIONS

- DVI Interface
- High-speed Data Line ESD Protection
- FireWire, SATA, PCIe Interfaces
- USB 1.0 - 3.0
- HDMI 1.4 - 2.0

MECHANICAL CHARACTERISTICS

- Molded DFN-5 Package
- Approximate Weight: 5 milligrams
- Lead-Free Pure-Tin Plating (Annealed)
- Solder Reflow Temperature:
Pure Tin: Sn, 100: 260-270°C
- Flammability Rating UL 94V-0
- 8mm Tape and Reel per EIA Standard 481

CIRCUIT DIAGRAM & PIN CONFIGURATION



TYPICAL DEVICE CHARACTERISTICS
MAXIMUM RATINGS @ 25°C Unless Otherwise Specified

PARAMETER	SYMBOL	VALUE	UNITS
Peak Pulse Power (tp = 8/20μs) - See Figure 1	P _{PP}	20	Watts
Operating Temperature	T _L	-55 to 150	°C
Storage Temperature	T _{STG}	-55 to 150	°C
Peak Pulse Current	I _{PP}	3	Amps
ESD Voltage Level per IEC 61000-4-2 (Contact)	V _{ESD}	±10	kV
ESD Voltage Level per IEC 61000-4-2 (Air)	V _{ESD}	±25	kV

ELECTRICAL CHARACTERISTICS PER LINE @ 25°C Unless Otherwise Specified

PART NUMBER	DEVICE MARKING	RATED STAND-OFF VOLTAGE (Note 1) V _{WM} VOLTS	MINIMUM BREAKDOWN VOLTAGE (Note 1) @ 1mA V _(BR) VOLTS	TYPICAL CLAMPING VOLTAGE 8/20μs @ I _p = 3A V _c VOLTS	TYPICAL DYNAMIC RESISTANCE (Note 2) R _{DYN} OHMS		MAXIMUM LEAKGE CURRENT @V _R I _R nA		MAXIMUM CAPACITANCE I/O - GND (Note 3) f = 200MHz to 2.5GHz C pF	MAXIMUM CAPACITANCE I/O - GND (Note 3) f = 2.5GHz to 9GHz C pF	TYPICAL CUT-OFF FREQUENCY @ -3dB fc GHz
					I/O TO GND	GND TO I/O	3.6V	5.0V			
PLR0504FN5	42	5.0	6.0	6.0	0.68	0.65	50	500	0.5	0.4	18

NOTES

- Per IEC 61000-4-2 8kV Contact Discharge at 30ns.
- TLP @ 100ns
- V_{bias} = 0Vdc, V_{osc} = 30mV_(RMS)

TYPICAL DEVICE CHARACTERISTICS

FIGURE 1
CROSSTALK VS FREQUENCY

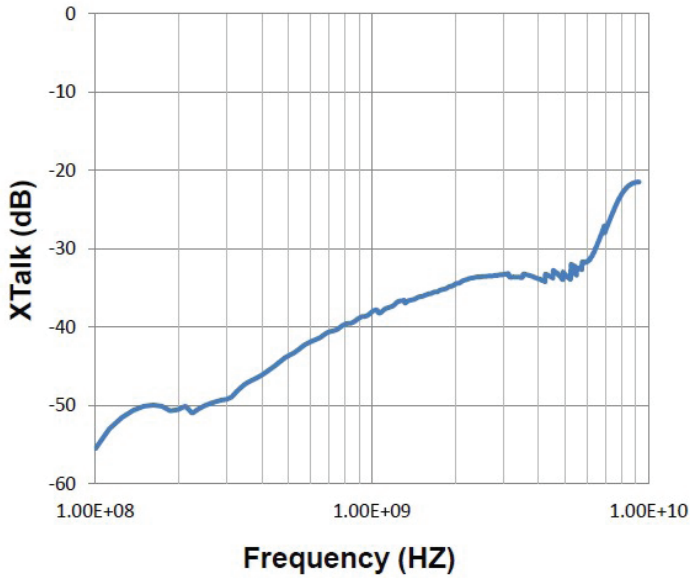


FIGURE 2
INSERTION LOSS VS FREQUENCY

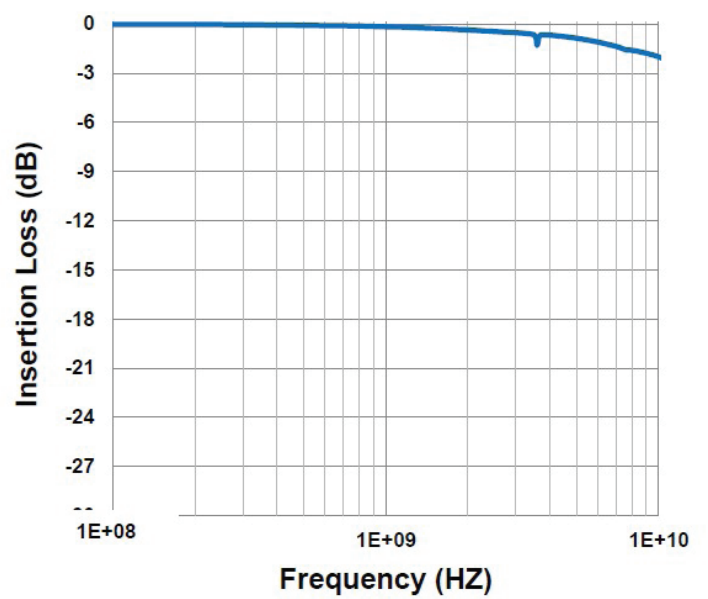
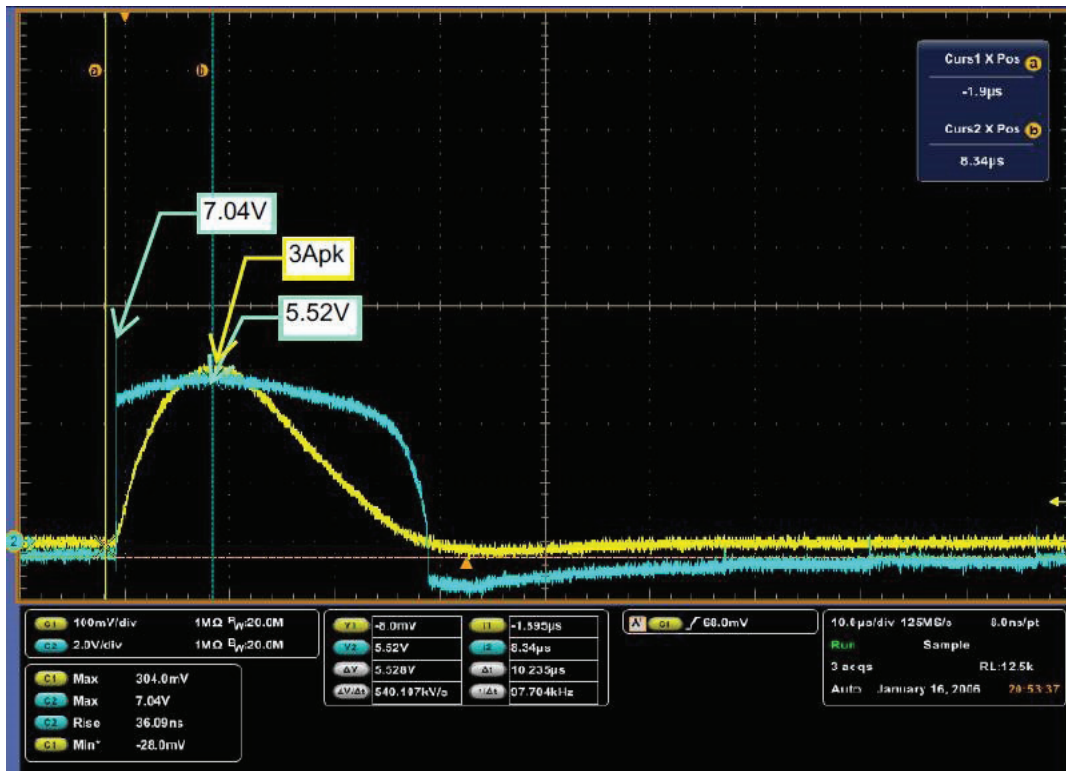


FIGURE 3
SURGE WAVEFORM

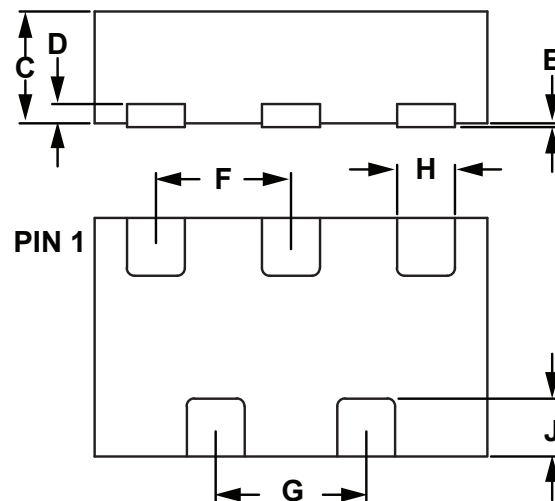
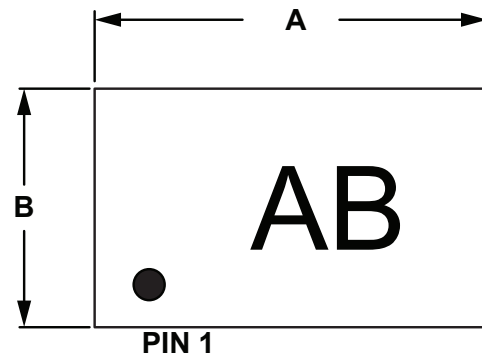


PACKAGE INFORMATION
OUTLINE DIMENSIONS

DIM	MILLIMETERS		INCHES	
	MIN	MAX	MIN	MAX
A	1.20	1.40	0.048	0.055
B	0.70	0.90	0.0275	0.0354
C	0.36	0.40	0.0141	0.0157
D	0.08		0.003	
E	0.02		0.001	
F	0.45		0.0178	
G	0.50		0.0196	
H	0.16	0.24	0.006	0.009
J	0.20	0.30	0.0078	0.0118

NOTES

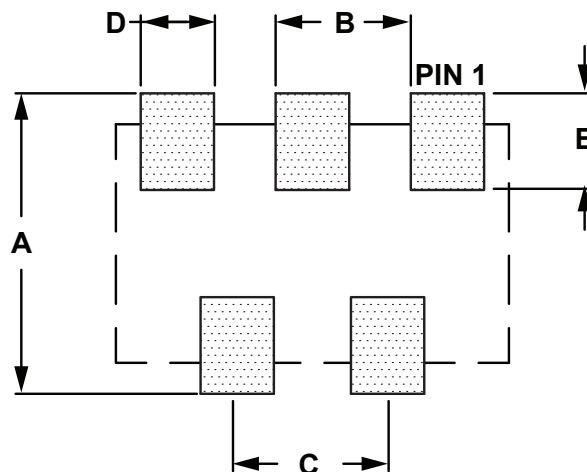
1. Controlling dimension: millimeters

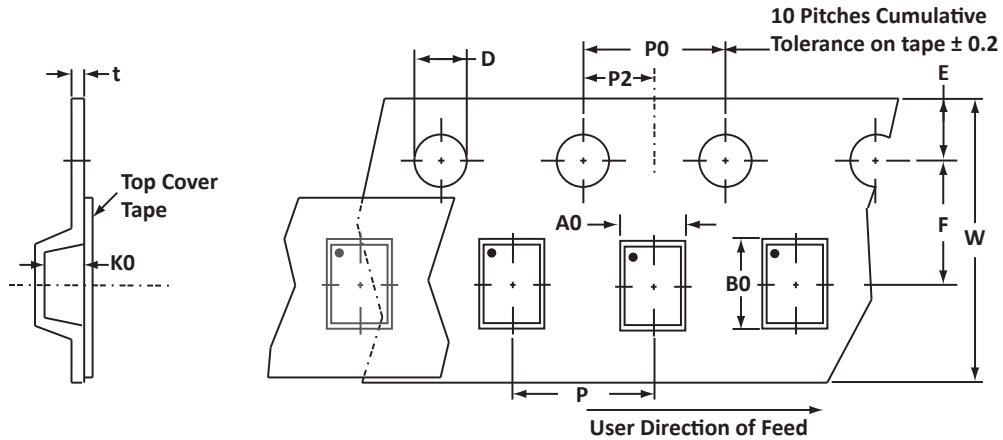

PAD LAYOUT DIMENSIONS

DIM	MILLIMETERS	INCHES
A	1.2	0.047
B	0.50	0.0196
C	0.50	0.0196
D	0.20	0.0078
E	0.45	0.0177

NOTES

1. Controlling dimension: millimeters.



TAPE AND REEL

SPECIFICATIONS

REEL DIA.	TAPE WIDTH	A0	B0	K0	D	E	F	W	P0	P2	P	t _{max}
178mm (7")	8mm	0.92 ± 0.05	1.42 ± 0.05	0.52	1.50 ± 0.10	1.75 ± 0.10	3.50 ± 0.05	8.00 ± 0.30	4.00 ± 0.10	2.00 ± 0.05	4.00 ± 0.10	0.25

NOTES

1. Dimensions are in millimeters.
2. Surface mount product is taped and reeled in accordance with EIA-481.
3. Marking on Part - marking code (see page 2) and pin one defined by dot on package.

ORDERING INFORMATION

BASE PART NUMBER	LEADFREE SUFFIX	TAPE SUFFIX	QTY/REEL	REEL SIZE	TUBE QTY
PLR0504FN5	n/a	-T76	6000	7"	n/a

This device is only available in a Lead-Free configuration.

COMPANY INFORMATION

COMPANY PROFILE

In business more than 25 years, ProTek Devices™ is a privately held semiconductor company. The company offers a product line of overvoltage protection and overcurrent protection components. These include transient voltage suppressor array (TVS arrays) avalanche breakdown diode, steering diode TVS array and electronics SMD chip fuses. These components deliver circuit protection in electronic systems from numerous overvoltage and overcurrent events. They include lightning; electrostatic discharge (ESD); nuclear electromagnetic pulses (NEMP); inductive switching; and electromagnetic interference (EMI) / radio frequency interference (RFI). ProTek Devices also offers LED wafer die for ESD protection and related high frequency products. ProTek Devices is ISO 9001:2015 certified.

CONTACT US

Corporate Headquarters

2929 South Fair Lane
Tempe, Arizona 85282
USA

By Telephone

General: 602-431-8101
Sales: & Marketing: 602-414-5109
Customer Service: 602-414-5114
Product Technical Support: 602-414-5107

By Fax

General: 602-431-2288

By E-mail:

Asia Sales: asiasales@protekdevices.com
Europe Sales: europesales@protekdevices.com
U.S. Sales: ussales@protekdevices.com
Distributor Sales: distysales@protekdevices.com
Customer Service: service@protekdevices.com
Technical Support: support@protekdevices.com

ProTek Devices (Asia Pacific) Pte. Ltd.

8 Ubi Road 2, #06-19
Zervex
Singapore - 408538
Tel: +65-67488312
Fax: +65-67488313

Web

www.protekdevices.com

COPYRIGHT © ProTek Devices 2020 - This literature is subject to all applicable copyright laws and is not for resale in any manner.

SPECIFICATIONS: ProTek reserves the right to change the electrical and or mechanical characteristics described herein without notice.

DESIGN CHANGES: ProTek reserves the right to discontinue product lines without notice and that the final judgement concerning selection and specifications is the buyer's and that in furnishing engineering and technical assistance. ProTek assumes no responsibility with respect to the selection or specifications of such products. ProTek makes no warranty, representation or guarantee regarding the suitability of its products for any particular purpose, nor does ProTek assume any liability arising out of the application or use of any product or circuit and specifically disclaims any and all liability without limitation special, consequential or incidental damages.

LIFE SUPPORT POLICY: ProTek Devices products are not authorized for use in life support systems without written consent from the factory.