



SURFACE MOUNT

DESCRIPTION

The SM45KPAxxAN/CAN Series are high-powered surface mount transient voltage suppression components designed to protect equipment and systems from the damaging effects of high voltage spikes. The surface mount package configuration provides a lower profile compared to legacy axial lead package configurations.

These devices provide 45,000 Watts of peak pulse power dissipation for an 10/1000 μ s waveform. Applications include AC and DC power line protection, terrestrial base station protection as well as module lightning protection.

FEATURES

- RTCA DO-160G COMPLIANT PRODUCT
- Compatible with IEC 61000-4-5 (Surge): 48A, 8/20 μ s - L3(Line-Ground), L4(Line-Line) & L1 (Power)
- 45,000 Watts Peak Pulse Power per Line (tp = 10/1000 μ s)
- Unidirectional and Bidirectional Configurations
- Easy Mounting to Printed Circuit Board
- Available in Multiple Voltages
- tClamping (0V to V_(BR) Min) < 100ps, Theoretical for Unidirectional and 5ns for Bidirectional
- RoHS Complaint (Exemption #7)

APPLICATIONS

- Relay Drives
- Motor (Start/Stop) Back EMF Protection
- Module Lightning Protection
- Secondary Lightning Protection for AC/DC

MECHANICAL CHARACTERISTICS

- Approximate Weight: 4 grams
- Lead-Free Silver Plating
- Solder Reflow Temperature: 260-270°C
- Flammability Rating UL 94V-0
- Marking: Logo and Marking Code

CIRCUIT DIAGRAMS

Unidirectional



Bidirectional



TYPICAL DEVICE CHARACTERISTICS

RTCA DO-160G COMPLIANT PRODUCT

MAXIMUM RATINGS @ 25°C Unless Otherwise Specified

PARAMETER	SYMBOL	VALUE	UNITS
Peak Pulse Power (tp = 10/1000µs) - See Figure 1	P_{PP}	45,000	Watts
Forward Surge Rating	I_F	200	Amps
Storage Temperature	T_{STG}	-55 to 150	°C
Operating Temperature	T_L	-55 to 150	°C

ELECTRICAL CHARACTERISTICS PER LINE @ 25°C Unless Otherwise Specified

PART NUMBER (Notes 1 - 2)	MARKING CODE		RATED STAND-OFF VOLTAGE V_{WM} VOLTS	BREAKDOWN VOLTAGE		MAXIMUM LEAKAGE CURRENT @ V_{WM} I_D µA	MAXIMUM CLAMPING VOLTAGE (Fig. 2) @ 10/1000µs V_C @ I_{PP}	TEMPERATURE COEFFICIENT OF $V_{(BR)}$ $qV_{(BR)}$ mV/°C
	UNI	BI		MIN $V_{(BR)}$ VOLTS	@ I_T mA			
SM45KPA70AN	70K	70T	70.0	77.8	5	2	120.0V @ 375.0A	83
SM45KPA72AN	72K	72T	72.0	80.4	5	2	127.0V @ 354.0A	85
SM45KPA110AN	110K	110T	110.0	122.0	5	2	173.0V @ 260.0A	126
SM45KPA160AN	160K	160T	160.0	178.0	5	2	276.0V @ 163.0A	195
SM45KPA200AN	200K	200T	200.0	222.0	5	2	350.0V @ 128.0A	250

NOTES

- Part numbers shown are unidirectional devices. Add a "C" suffix to specify bidirectional devices, such as SM45KPA70CAN.
- $V_{F(MAX)}$ = 15 Volts @ 200A, 8.3ms(1/2 Sine Wave) - *Unidirectional devices only.*

FIGURE 1
PEAK PULSE POWER VS PULSE TIME

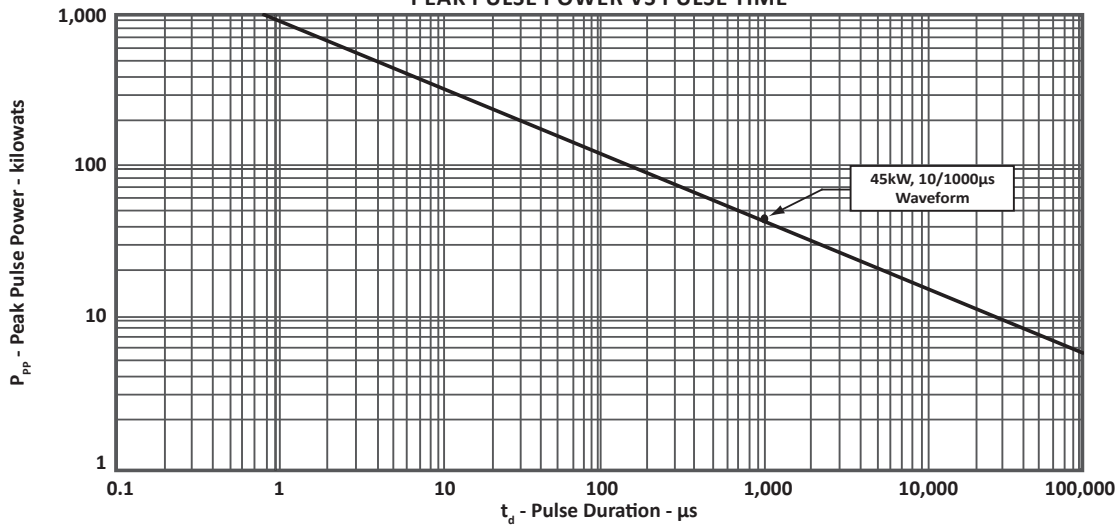


FIGURE 2
PULSE WAVEFORM

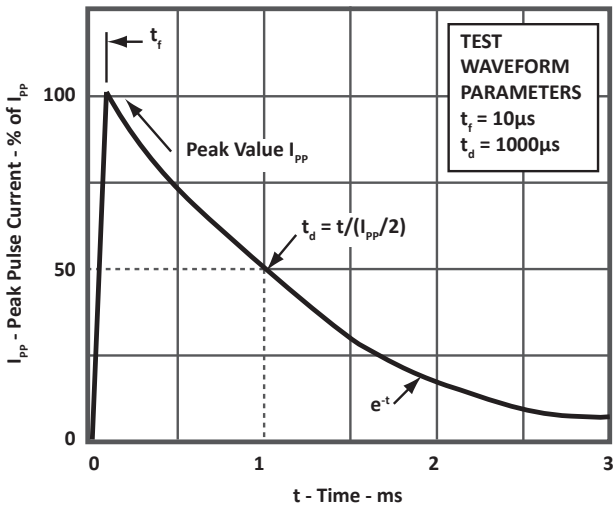
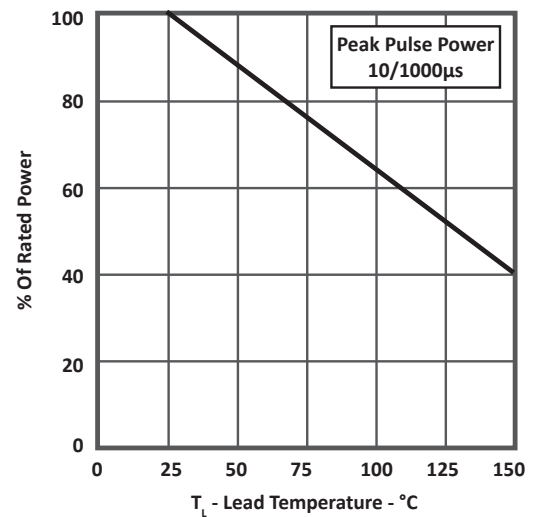


FIGURE 3
POWER DERATING CURVE

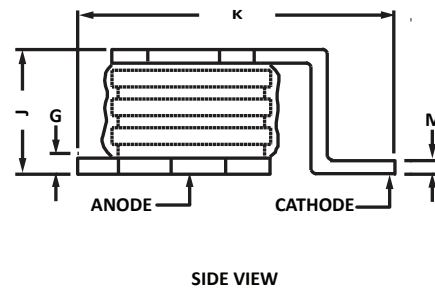
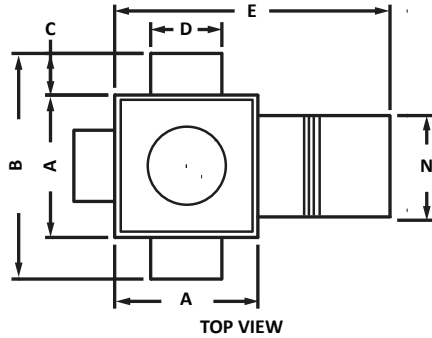


PACKAGE INFORMATION

RTCA DO-160G COMPLIANT PRODUCT

PACKAGE OUTLINE DIMENSIONS

DIM	MILLIMETERS		INCHES	
	MIN	MAX	MIN	MAX
A	7.75	8.26	0.305	0.325
B	11.40	11.50	0.449	0.453
C	1.75	1.85	0.069	0.073
D	2.55	2.79	0.100	0.110
E	13.95	14.45	0.549	0.589
G	0.46	0.56	0.018	0.022
J	3.70	4.85	0.145	0.191
K	15.50	17.02	0.610	0.670
M	0.46	0.56	0.018	0.022
N	5.81	5.97	0.229	0.235

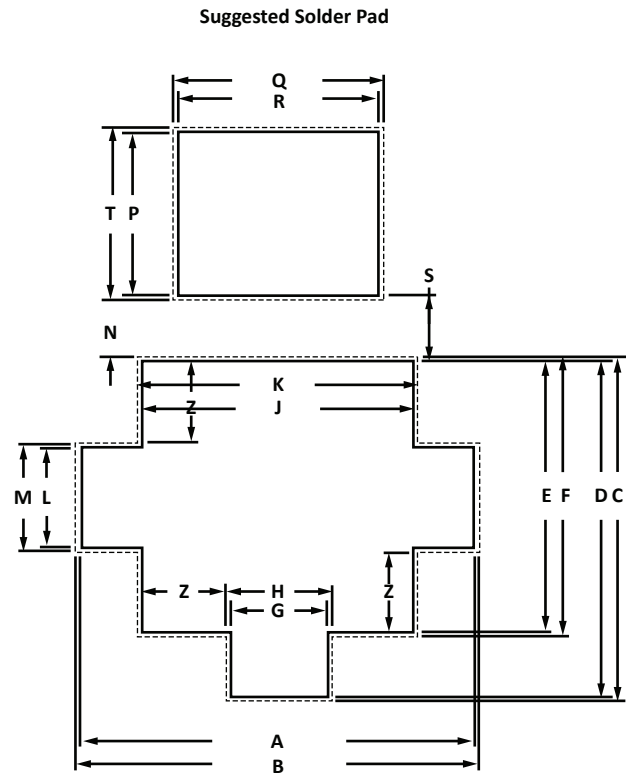


PACKAGE INFORMATION

RTCA DO-160G COMPLIANT PRODUCT

SOLDER PAD OUTLINE DIMENSIONS

DIM	MILLIMETERS		INCHES	
	MIN	MAX	MIN	MAX
A	11.75	11.85	0.462	0.467
B	11.95	12.05	0.470	0.474
C	10.05	10.15	0.396	0.400
D	10.25	10.35	0.403	0.407
E	8.15	8.25	0.321	0.325
F	8.35	8.45	0.329	0.333
G	2.95	3.05	0.116	0.120
H	3.15	3.25	0.124	0.128
J	8.15	8.25	0.321	0.325
K	8.35	8.45	0.329	0.333
L	2.95	3.05	0.116	0.120
M	3.15	3.25	0.124	0.128
N	1.85	1.95	0.073	0.077
P	5.23	5.33	0.206	0.210
Q	6.25	6.35	0.246	0.250
R	6.05	6.15	0.238	0.242
S	1.65	1.75	0.065	0.069
T	5.44	5.54	0.214	0.218
Z	2.55	2.65	0.100	0.104



COMPANY INFORMATION**RTCA DO-160G COMPLIANT PRODUCT****COMPANY PROFILE**

In business more than 20 years, ProTek Devices™ is a privately held semiconductor company. The company offers a product line of overvoltage protection and overcurrent protection components. These include transient voltage suppressor array (TVS arrays) avalanche breakdown diode, steering diode TVS array and electronics SMD chip fuses. These components deliver circuit protection in electronic systems from numerous overvoltage and overcurrent events. They include lightning; electrostatic discharge (ESD); nuclear electromagnetic pulses (NEMP); inductive switching; and electromagnetic interference (EMI) / radio frequency interference (RFI). ProTek Devices also offers LED wafer die for ESD protection and related high frequency products.

CONTACT US**Corporate Headquarters**

2929 South Fair Lane
Tempe, Arizona 85282
USA

By Telephone

General: 602-431-8101
Sales: & Marketing: 602-414-5109
Customer Service: 602-414-5114
Product Technical Support: 602-414-5107

By Fax

General: 602-431-2288

By E-mail:

Asia Sales: asiasales@protekdevices.com
Europe Sales: europesales@protekdevices.com
U.S. Sales: ussales@protekdevices.com
Distributor Sales: distysales@protekdevices.com
Customer Service: service@protekdevices.com
Technical Support: support@protekdevices.com

ProTek Devices (Asia Pacific) Pte. Ltd.

8 Ubi Road 2, #06-19
Zervex
Singapore - 408538
Tel: +65-67488312
Fax: +65-67488313

Web

www.protekdevices.com

COPYRIGHT © ProTek Devices 2018 - This literature is subject to all applicable copyright laws and is not for resale in any manner.

SPECIFICATIONS: ProTek reserves the right to change the electrical and or mechanical characteristics described herein without notice.

DESIGN CHANGES: ProTek reserves the right to discontinue product lines without notice and that the final judgement concerning selection and specifications is the buyer's and that in furnishing engineering and technical assistance. ProTek assumes no responsibility with respect to the selection or specifications of such products. ProTek makes no warranty, representation or guarantee regarding the suitability of its products for any particular purpose, nor does ProTek assume any liability arising out of the application or use of any product or circuit and specifically disclaims any and all liability without limitation special, consequential or incidental damages.

LIFE SUPPORT POLICY: ProTek Devices products are not authorized for use in life support systems without written consent from the factory.